

NUS

SENIOR TUTORSHIP & DEVELOPMENT PATH





NUS HAS CRAFTED A SUITE OF TALENT DEVELOPMENT PROGRAMMES FOR OUTSTANDING SINGAPOREANS SEEKING AN ACADEMIC CAREER

Development path for a Senior Tutor

As part of NUS' efforts to cultivate a pipeline of Singaporean talents for academia, the Senior Tutorship and its development pathways are in place to attract the best in Singaporean talent.

These programmes include

- Senior Tutorship (ST) and its Development Path
- NUS Overseas Graduate Scholarship (NUS-OGS)
- NUS Overseas Postdoctoral Fellowship (NUS-OPF)
- NUS Early Career Award (NECA)

A typical development path for a Senior Tutor (ST) starts with an NUS-OGS or NUS-OPF award.

The NUS-OGS supports aspiring Singaporean academics in their PhD studies, while the NUS-OPF is designed to attract Singaporean PhD students based overseas, to return and work in NUS after a postdoctoral stint. Recent doctoral degree graduates will also have the opportunity to refine their research before they join/return to NUS. NUS-OGS scholars are generally required to undertake a postdoctoral attachment, and support is given either through the NUS-OPF or through postdoctoral fellowships awarded by overseas institutions.

Majority of the STs are expected to proceed onto the Tenure Track appointment scheme after going through one or more of these development programmes.

What you need

NUS-OGS:

- Singapore Citizen or Permanent Resident;
- Outstanding undergraduate academic records (at least a Bachelor's degree with 2nd Upper Honours);
- Shown a certain degree of aptitude for teaching and research; and
- Obtained outside funding, e.g. Fellowships, Teaching and/or Research Assistantships which usually come with a waiver of tuition fees and/or stipend.

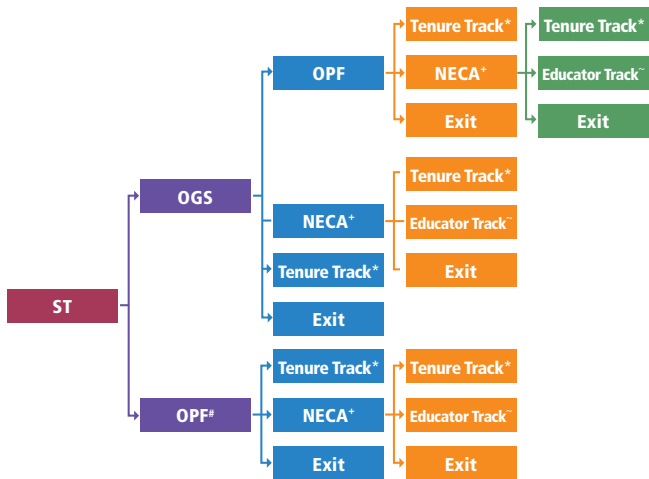
NUS-OPF:

- Singapore Citizen or Permanent Resident;
- Aptitude and passion for teaching and research, with noted accomplishments in these 2 areas;
- Conferred a doctoral degree not more than 2 years as at 31 December of the year in which nominations are called; and
- Accepted for postdoctoral training at a leading overseas academic/research institution (other than the institution from which applicant's doctoral degree had been obtained).



TRANSFORMING THOUGHTS AND ACTIONS THROUGH EDUCATION, RESEARCH AND SERVICE

After NUS-OGS or NUS-OPF[^]



Note:

[^] Progression along the development path is not automatic.

After completion of OGS, STs are generally required to undertake a postdoctoral attachment supported either through the NUS-OPF or postdoctoral fellowships awarded by overseas institutions.

* Outstanding STs may compete for NUS President's Assistant Professorship on the Tenure Track.

+ Returning STs may be considered for NECA award (up to 3 years and research grant) if they have yet to gain the requisite track record to be viable candidates for the Tenure Track.

~ NECA awardees are expected to accumulate teaching and research experience to build up competitive portfolio to compete for Tenure Track Assistant Professorship or pursue a career on the Educator Track where the primary responsibility is to engage in high quality educational activities.

What we offer

The NUS-OGS is tenable for up to 5 years (with a 5-year service obligation) while NUS-OPF is tenable for up to 2 years (with a 3-year service obligation). A competitive scholarship/fellowship package is provided, which may include one or more of the following items:

- Airfare
- Tuition and compulsory fees
- Maintenance allowance/stipend
- Conference and fieldwork grants
- Medical insurance coverage
- Sign-on bonus and/or Employer's CPF top-up

About the University

Consistently ranked as one of the top universities in Asia and the world, NUS is internationally respected for its high-quality multi-disciplinary research that addresses complex and critical issues facing Asia and the world.

BE PART OF US!

For more information, please visit our website at

nus.edu.sg/careers/scholarships.htm.